

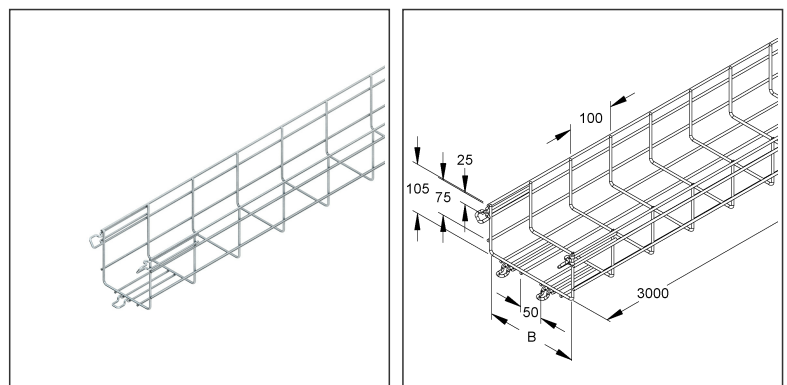
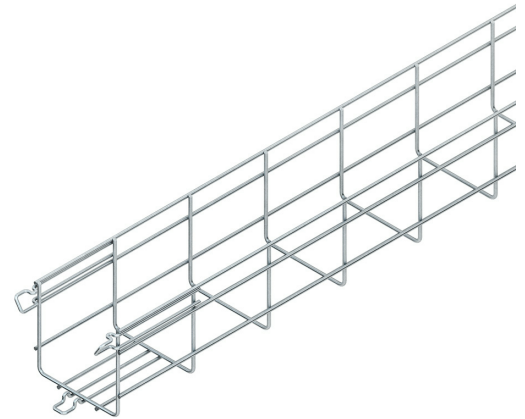
Wire Mesh Tray

U-shaped, spot-welded from steel wires, with welded connector

MTC 105.100 V NX CITOLine

EAN Code: 4013339711352
 Smallest packaging unit:3 m
 quantity unit:m M

the photorealistic images are to be considered as reference images



Article Description

Wire mesh tray, U-shaped, w. welded connector, 105x100x3000 mm, CITO, steel, electro galvanised according DIN EN ISO 2081, blue passivated

Additional Price Information

Article group	N13
quantity unit	m

Weight

Weight per quantity unit	1,044 kg/ m
Weight in kg per 100	104 kg/ 100m

Technical Datasheet

Wire Mesh Tray System

MTC 105.100 V NX CITO Line

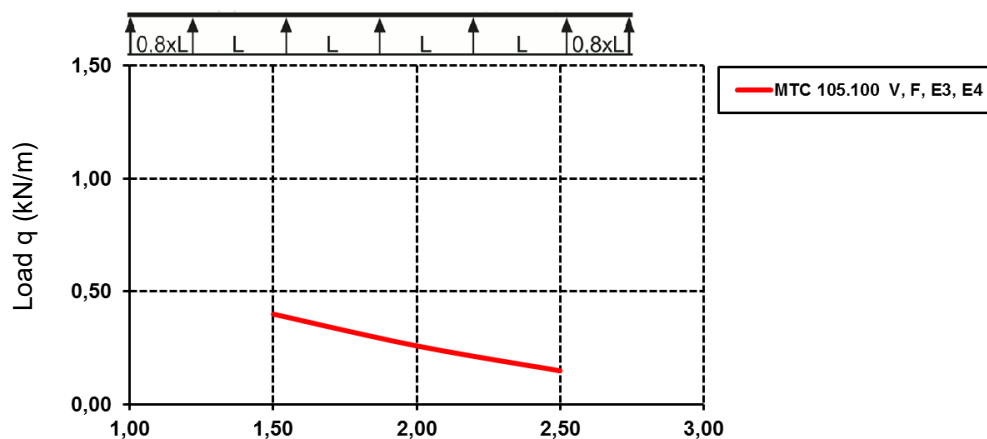
the photorealistic images are to be considered as reference images

Physical Article Dimensions

Height	108.80 mm
Width	115.60 mm
Depth/length	3026 mm

Load Specifications

Load diagram: q = evenly distributed cable load (tested acc. to DIN IEC 61537)



Fixing distance (m)

The load details shown in the diagram are independent of the position of the connectors.

Packing Dimension

3 meters = 1 piece		✓ VP1-smallest packaging unit (PU)			
Lenght	3027 mm	Width	116.00 mm	Height	109.00 mm
Gross weight	3,13 kg	Volume	0,038 m ³		
Min. quantity	3.00 m	Max. Quantity	3.00 m		

6 meters = 1 bundle					
Lenght	3027 mm	Width	121.00 mm	Height	114.00 mm
Gross weight	6,26 kg	Volume	0,042 m ³		
Min. Quantity	6.00 m	Max. Quantity	6.00 m		

336 meters = 1 rack					
Lenght	3027 mm	Width	1162 mm	Height	1120 mm
Gross weight	449 kg	Volume	3,939 m ³		
Min. Quantity	336.00 m	Max. Quantity	336.00 m		

Tender Text

Wire mesh tray according to DIN EN 61537, U-shaped, made of steel wires, spot-welded, for quick fixing with welded splice plates in the sides and bottom. VDE certified!

Dimensions (approx. dimensions)

Nominal dimension Height H (inside) x width W (inside) : 105 x 100 mm

Technical Datasheet

Wire Mesh Tray System

MTC 105.100 V **NXCITO**Line

the photorealistic images are to be considered as reference images

Tender Text

Longitudinal wire Ø : 3.9 mm
 Bottom longitudinal wire spacing : 50 mm
 Transverse wire Ø : 3.9 mm
 Transverse wire spacing : 100 mm
 Delivery length L : 3000 mm
 Usable cross-section : 10130 mm²
 Material : Steel, galvanised according to DIN EN ISO 2081, blue passivated
 NIEDAX Model No. : MTC 105.100 V
 EP Material _____ EP Wage _____
 Unit price/metre

Safety & Environment

REACH Date	05.11.2025
REACH Info	Conformable
RoHS Info	Conformable

Origin & International Trade

Country of origin	CH
Customs tariff number	73089098

Related items

Cover

Model No.	Description
GRDHL 30 S	Cover retaining lug for cover wire mesh tray, steel, pre-galvanised according to DIN EN 10346
GTD 100 S	Cover for wire mesh tray, 100x3000 mm, steel, mill gal., acc. DIN EN 10346
MTCC 100/7.5° S	Cover for MTC wire mesh tray, 111,2x3000 mm, 7,5° tilt angle, steel, pre-galvanised according to DIN EN 10346

Barrier strip

Model No.	Description
GRTB 6 S	Barrier strip fastening clamp, steel, pre-galvanised according to DIN EN 10346
GRVC 14	Barrier strip fastening clamp, steel, pre-galvanised according to DIN EN 10346, incl. accessories
RW 110	Barrier strip, 98x3000 mm, t=0,9 mm, steel, pre-galvanised according to DIN EN 10346, incl. accessories
RW 85	Barrier strip, 80x3000 mm, t=0,9 mm, steel, pre-galvanised according to DIN EN 10346, incl. accessories